

Special Class

MT 3000-3 Offset POWERFEEDER



Maximum conveying capacity 1,200 t/h

Pivoting conveyor $\pm 55^\circ$

Simple operation with ErgoPlus 3

PREMIUM LINE

 www.voegele.info

Special Class

MT 3000-3 Offset

PowerFeeder



The new **VÖGELE MT 3000-3 Offset** combines reliable technology with great operating convenience, making it even easier to transfer material to the paver without interruptions or jerks and thus ensuring top paving quality at maximum efficiency.

The VÖGELE ErgoPlus 3 operating system now also guarantees simple, ergonomic and reliable control of this new material feeder. Effective assistance systems are additionally available to make work easier for the machine operator.

AutoSet Plus allows the MT 3000-3 Offset to be set up quickly and easily for the task in question, regardless of whether the machine is to be repositioned, transported or prepared for the material transfer task ahead.

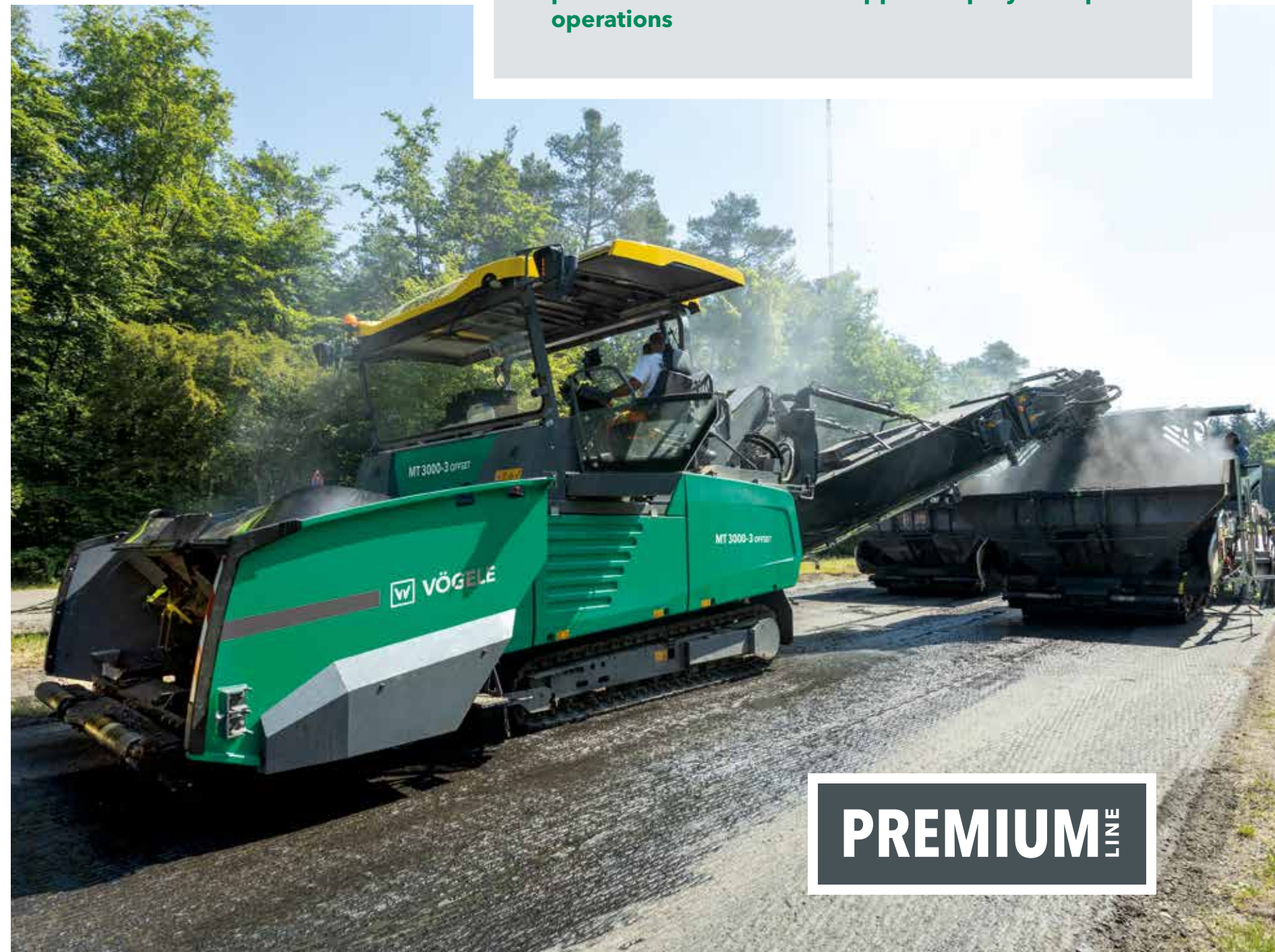
The PaveDock Assistant traffic light system is used to direct mix trucks and delivers clear, noiseless communication with the driver of the mix truck.

The completely redesigned material hopper enables trucks to dock and empty completely in just 60 seconds.

The pivoting conveyor facilitates a wide variety of applications, radically increasing the potential uses of the MT 3000-3 Offset. The innovative material handling concept guarantees a steady, non-contact supply of mix in every application.

The new service and maintenance concept makes the "Dash 3" material feeder quick and easy to service and clean. All the relevant areas are very easily accessible and can be identified at a glance.

- » The state-of-the-art material handling concept reliably enables mix trucks to be emptied completely in just 60 seconds
- » The pivoting and inclining conveyor opens up a wide range of applications
- » The ErgoPlus 3 operating concept ensures that the machine is simple and safe to operate
- » The new maintenance and service concept facilitates good access to all the relevant points
- » The large angle of inclination and optimized transport position of the material hopper simplify transport operations



PREMIUM LINE

VÖGELE MT 3000-3 Offset

Greater efficiency, convenience and reliability



» **Optimized belt heating**
Reliably prevents mix cooling and adhering when consumption is low

» **Optimized conveying of mix**
Rapid conveying of mix without loss, even under difficult conditions of use

» **AutoSet Plus**
Reliable repositioning, rapid readiness for use and reproducible conveying quality

» **ErgoPlus 3**
Convenient, ergonomic, safe and simple to operate

» **PaveDock Assistant**
Straightforward communication between material feeder operator and truck driver

» **Redesigned material hopper**
Rapid, simple docking and emptying of mix trucks

» **Modern drive concept**
High conveying capacity with quiet, economical operation

» **New maintenance and service concept**
Quick and easy to maintain and clean for reliable operation

Maximum conveying capacity 1,200 t/h

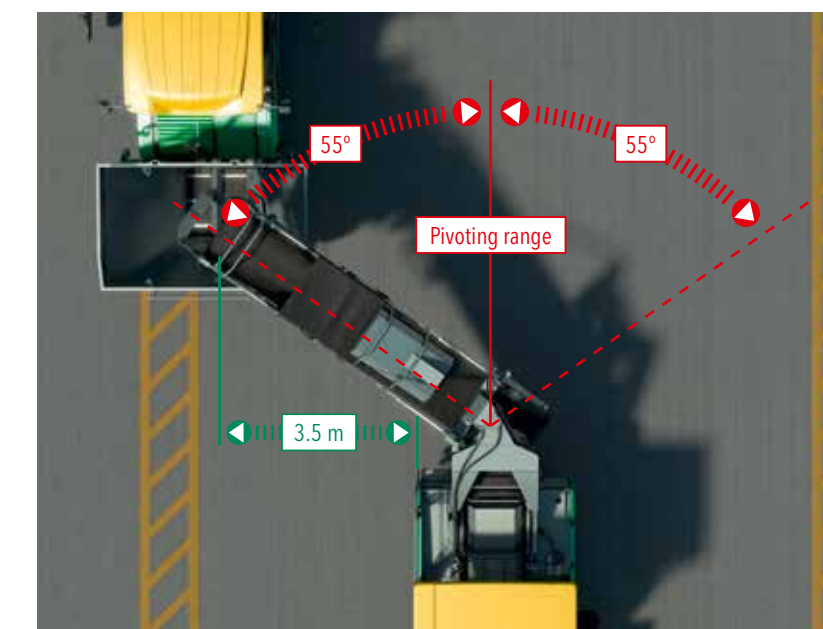
Pivoting conveyor ±55 %

"Dash 3" features: ErgoPlus 3, PaveDock Assistant and AutoSet Plus



New "Dash 3" features

- » **The ErgoPlus 3 operating concept** provides a convenient workstation with plenty of storage space and good all-round visibility. The new operating logic makes handling even more intuitive and reduces faulty operation.
- » **AutoSet Plus** facilitates repositioning. The material feeder can be put into repositioning or transport position at the touch of a button. Material handling programmes can furthermore be saved and called up again at any time.
- » **Perfect communication** during transfer of material to the paver: PaveDock Assistant enables the material feeder operator and the truck driver to communicate unambiguously without hooting or hand signals.
- » **The new maintenance and service concept** facilitates access to all the relevant points for maintenance, making settings and cleaning.



State-of-the-art material handling concept

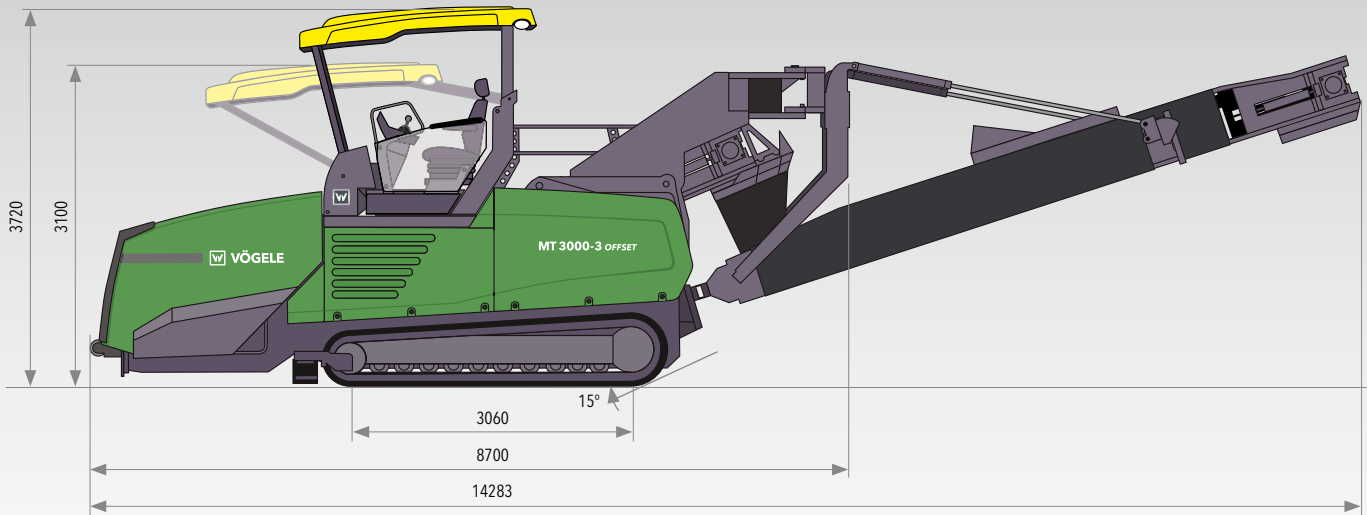
- » **The conveyor which can pivot 55 degrees to the right and left** gives the MT 3000-3 Offset a wide range of applications, making the machine extremely useful.
- » **The optimized control system** always keeps the conveyor belt central, even on difficult job sites with extreme inclines.
- » **The improved material handling concept** reduces machine soiling to a minimum. This reduces wear and increases resistance to deformation.
- » **Belt heating with improved control** maintains its temperature reliably whilst keeping fuel consumption low.



Optimized material hopper

- » **The changed geometry** of the material hopper allows mix trucks to dock easily and to unload quickly.
- » **Reflectors and markings** in fluorescent colours identify the hopper walls for reliable and quick docking, even when working at night.
- » **The trough-shaped conveyor belt** centres the mix during handling, guaranteeing a clean flow of material without losses.

Dimensions in mm



Drive	
Engine	Deutz
Type	TCD 2012
Output	
Nominal	142 kW at 2,000 rpm (according to DIN)
ECO mode	134 kW at 1,800 rpm
Exhaust emissions standards	EU Stage 3a, US EPA Tier 3
Fuel tank	450 l

Undercarriage	
Crawler tracks	rubber pads
Ground contact	3,060 x 305 mm
Traction drive	separate hydraulic drive and electronic control provided for each crawler track
Speeds	
In operation	up to 25 m/min., infinitely variable
Transport	up to 4.5 km/h, infinitely variable

Conveyors and augers	
Transverse augers	2, installed in the receiving hopper
Standard	cylindrical augers
Diameter	300 mm
Drive	separate hydraulic drive
Speed	max. 100 rpm

Conveyors and augers	
Conveyors	2 continuous rubber conveyor belts
Drive	separate hydraulic drive
Belt width	1,100 mm
Heating	infrared heating panels, diesel-powered
Pivoting conveyor	hydraulically pivoting
Pivoting angle	55° to the left or right
Reach	3,500 mm
	(outside edge of feeder to centre of discharge point)
Transfer height (max.)	3,900 mm
Conveying capacity (max.)	1,200 t/h*

Receiving hopper	
Holding capacity	15 t
Width	3,680 mm (hopper sides extended)
Feed height	600 mm (bottom of receiving hopper)
Push-rollers	
Standard	oscillating
Positions	can be displaced forwards by 75 mm or 150 mm
Bottom of material hopper	can be tilted hydraulically to empty completely

Dimensions and weight	
Width	3,000 mm
Length	14,710 mm
Height	3,100 mm
Weight	24,285 kg

* dependent on type of mix
Subject to technical changes.

JOSEPH VÖGELE AG

Joseph-Vögele-Str. 1
67075 Ludwigshafen · Germany
www.voegele.info

T: +49 621 / 8105 0
F: +49 621 / 8105 461
marketing@voegele.info



® ERGOPLUS, InLine Pave, NAVITRONIC, NAVITRONIC Basic, NAVITRONIC Plus, NIVELTRONIC, NIVELTRONIC Plus, RoadScan, SprayJet, VÖGELE, VÖGELE PowerFeeder, PaveDock, PaveDock Assistant, AutoSet, AutoSet Plus, AutoSet Basic, ErgoBasic and VÖGELE-EcoPlus are registered Community Trademarks of JOSEPH VÖGELE AG, Ludwigshafen/Rhein, Germany. PCC is a registered German Trademark of JOSEPH VÖGELE AG, Ludwigshafen/Rhein, Germany. ERGOPLUS, NAVITRONIC Plus, NAVITRONIC BASIC, NIVELTRONIC Plus, SprayJet, VISION, VÖGELE, VÖGELE PowerFeeder, PaveDock, PaveDock Assistant, AutoSet, AutoSet Plus, AutoSet Basic and VÖGELE-EcoPlus are trademarks registered in the US Patent and Trademark Office to JOSEPH VÖGELE AG, Ludwigshafen/Rhein, Germany. Legally binding claims cannot be derived from written information or pictures contained in this brochure. We reserve the right to make technical or design alterations. Pictures may include optional extras.