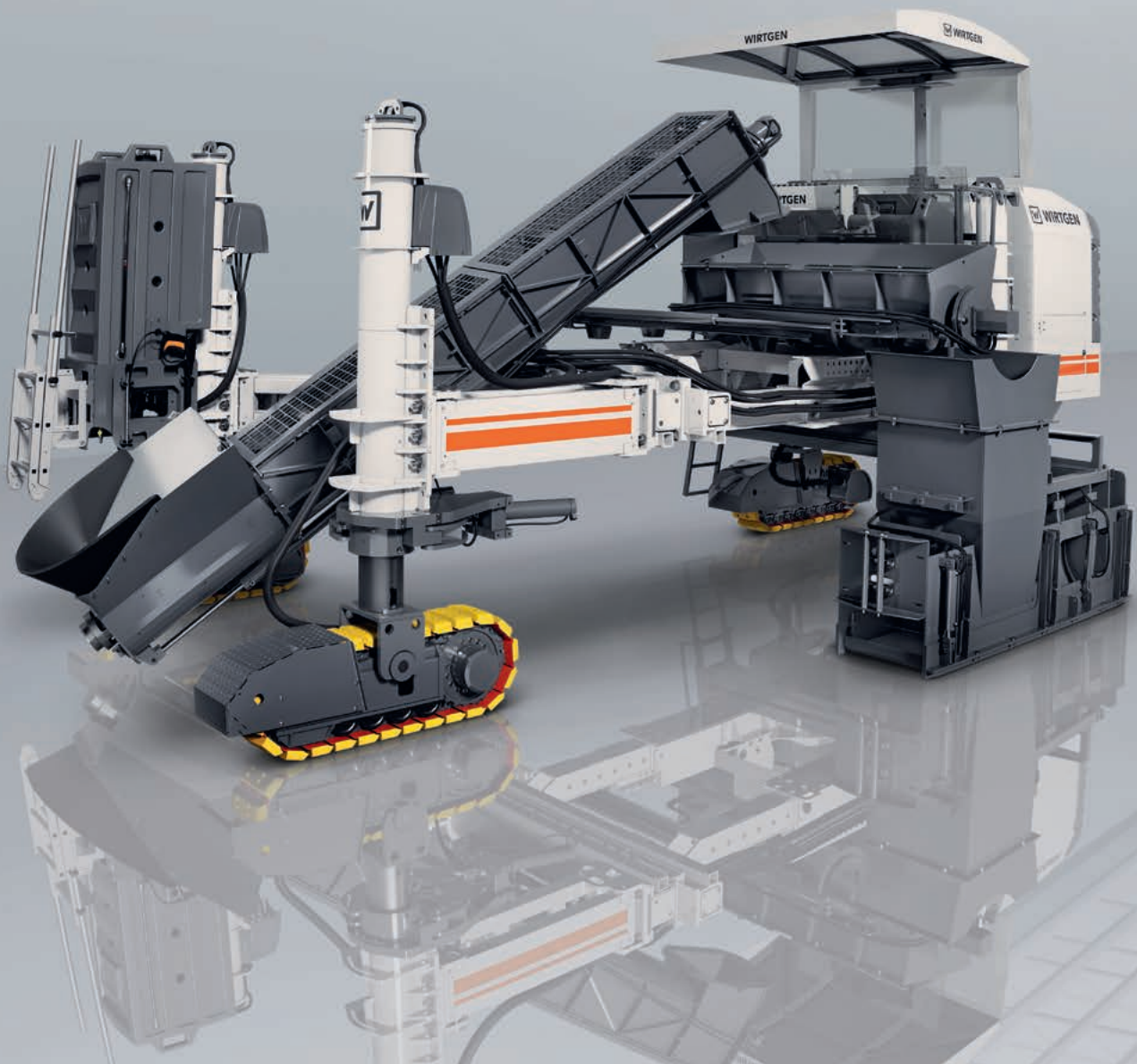




Matchless range of applications in concrete paving.

Slipform Paver SP 25/SP 25i



Outstanding features of the SP 25 / SP 25i slipform paver

02
03

1 | FULLY MODULAR INSET MOULD SYSTEM

Modular design permits machine configuration in accordance with site conditions. Adjustable to different working widths. Special profile cross-sections can be implemented.

2 | HIGHLY FLEXIBLE OFFSET MOULD SYSTEM

Concrete feeding system offering a wide variety of adjustment options. Flexible arrangement of the offset mould on the left or right side, close to or far to one side of the machine frame. A wide variety of different offset moulds for poured-in-place profiles is available for a wide range of applications.

11 | INTELLIGENT TRANSPORT CONCEPT

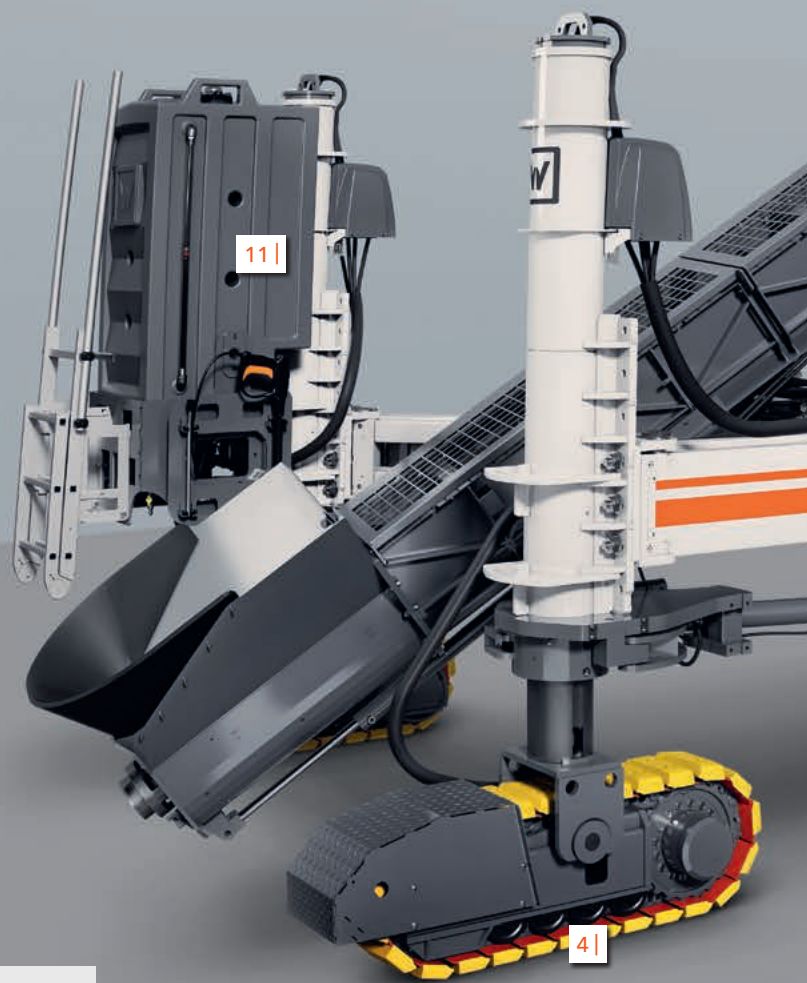
Compact machine dimensions ensure ease of transport.

10 | EASE OF OPERATION

Ergonomically designed operator's platform with self-explanatory operating concept for maximum productivity.

9 | MODULAR ADAPTABILITY

Flexible arrangement of the paving mould and track units to ensure high machine utilization rates.



3 | HIGH-QUALITY MACHINE CONTROL SYSTEM

High-quality machine control system for maximum operational reliability, precise machine functionality and automatic detection of configuration parameters and operating states.

4 | STEERING AND DRIVE SYSTEM BUILT TO FIELD REQUIREMENTS

An adaptive electronic steering and control system ensures precise driving behaviour and high precision in concrete paving.

5 | EFFICIENT DIESEL ENGINE CONTROL

Engine management in accordance with performance requirements for low diesel consumption and lowest environmental emissions.

6 | AUTOPILOT 2.0 - COST-EFFICIENT STRINGLESS MACHINE CONTROL SYSTEM

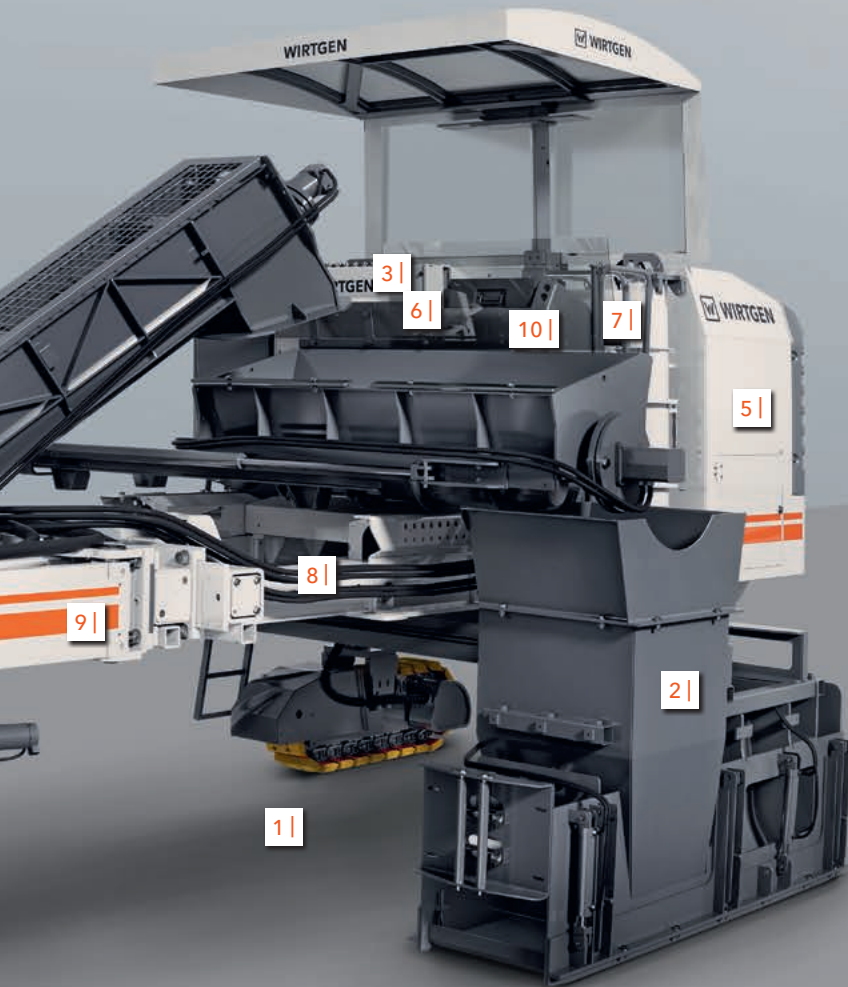
Cost-efficient machine control system developed by WIRTGEN for high-precision stringless concrete paving.

7 | FUTURE-PROOF 3D INTERFACE

Certified standard interface for reliable communication with standard 3D systems.

8 | PREMIUM-CLASS CROSS SLOPE CONTROL SYSTEM

Unmatched electronic cross slope control system developed in-house to ensure perfect paving results.



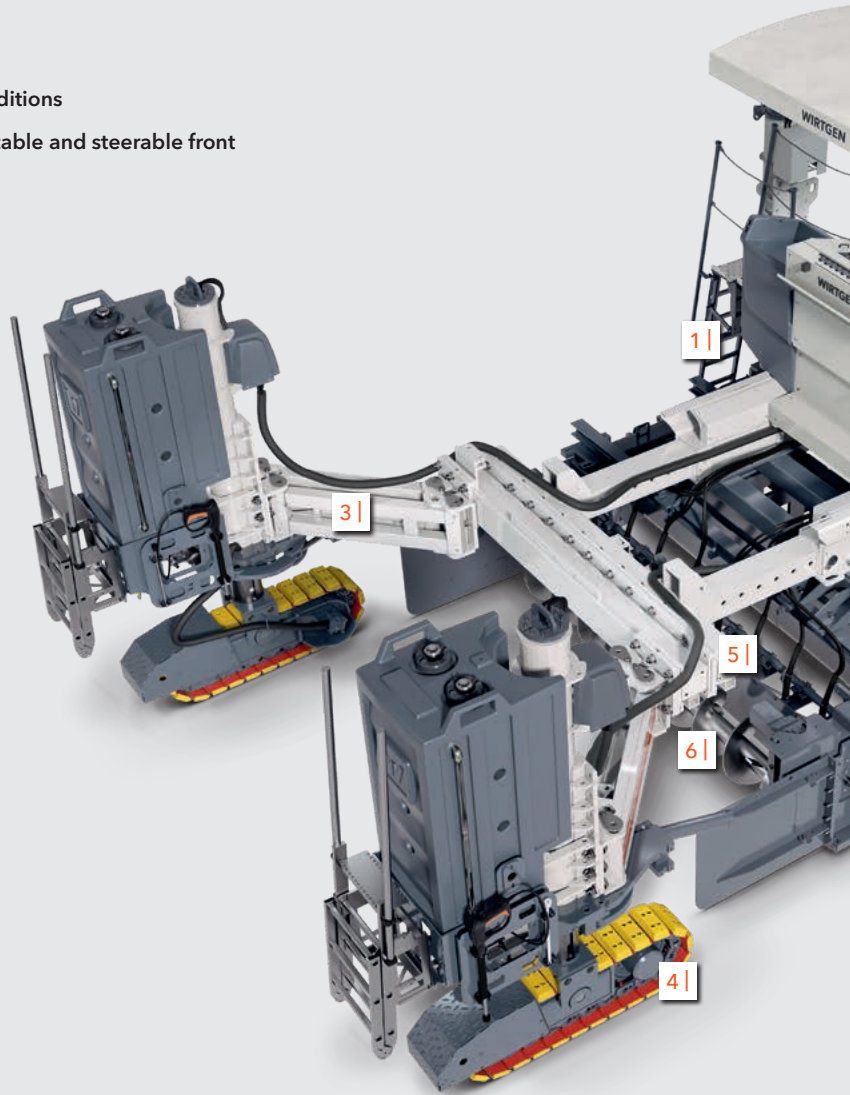




A new kind of
economic efficiency.

The WIRTGEN SP 25/SP 25i slipform paver. Equipped with sophisticated features, customer-specific solutions, innovative machine technologies. And efficient multifunctionality. The compact machine boasts an unsurpassed variety of different applications in the paving of high-quality inset and offset concrete profiles. SP 25/SP 25i - undeniably WIRTGEN. Undeniably a champion.

- 1 | Flexible access to operator's platform
- 2 | Telescoping machine frame
- 3 | Pivoting legs for adjustment of the track units to site conditions
- 4 | One or two hydraulically driven, separately height-adjustable and steerable front track units
- 5 | Telescoping front section of machine frame
- 6 | Spreading auger offering modular extension options
- 7 | Slab paving mould
- 8 | Two laterally telescoping rear track units
- 9 | Lifting column with hydraulic cylinder for height adjustment
- 10 | Power unit



Inset concrete paver drives efficiency to the max

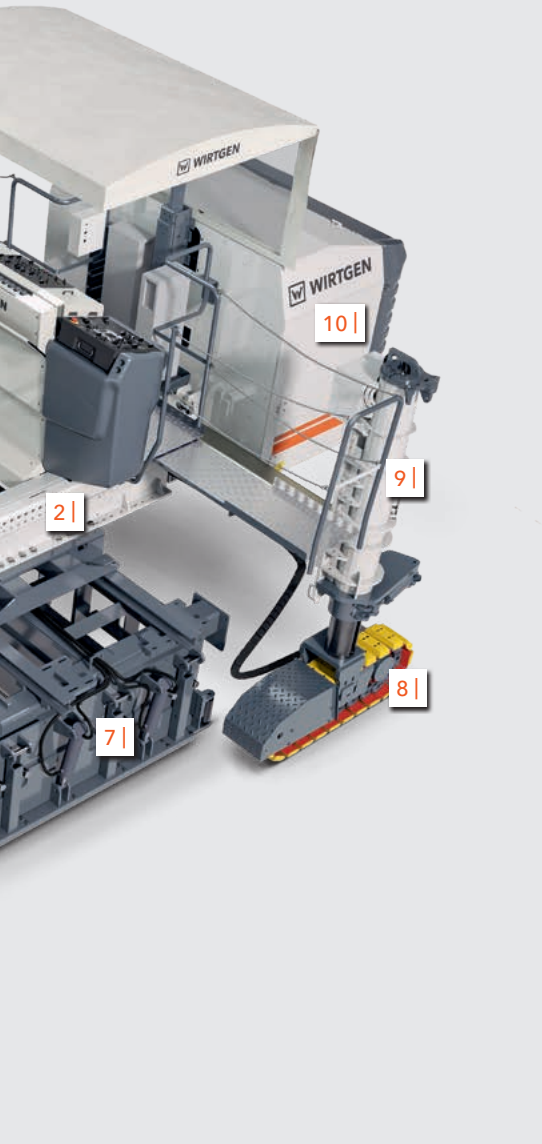
WIDE RANGE OF SLAB PAVING WIDTHS

The compact SP 25/SP 25i slipform paver is an exceptionally versatile multipurpose machine for high-quality concrete paving. In addition to a wide variety of different offset profiles, the SP 25/SP 25i achieves perfection in paving narrow roads, agricultural roads and bicycle paths, channels and gutters of different sizes in inset application. The paver's modular design permits it to be fully tailored to various applications in accordance with specific requirements, allowing components to be retrofitted quite easily even many years later.

There is no question about it: the SP 25/SP 25i sets new standards in economic efficiency.

Further hallmarks include flexible positioning of the track units, spreading auger extension and the use of up to ten electric or hydraulic vibrators.

Intelligent electronic steering and control technology ensures full compliance with the specified requirements.



1 | Flexible positioning of the track units allows paving of a 3.0 m wide rural path.

2 | The SP 25/SP 25i offers a comprehensive range of inset applications including the production of concrete slabs from 1.0 m to 3.5 m in width.



11

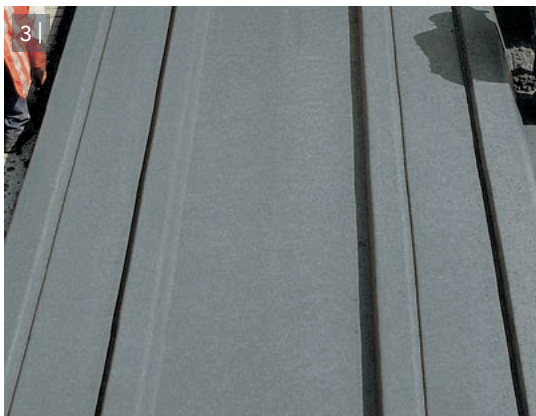
1 | Paving a 3.5 m wide concrete road.

Tremendous range of inset paving applications

THE SP 25/SP 25i IN ACTION

The SP 25/SP 25i is capable of paving concrete slabs at widths ranging from 1.0 m to 3.5 m and layer thicknesses of up to 400 mm in inset application. Flexible positioning of the paver's track units allows slab widths of 3.5 m to be achieved. Its modular design makes easy work of modifying the SP 25/SP 25i for the different paving applications: the spreading auger, slab paving mould and other complementary features can be extended in increments. Special profiles and paving widths are available in accordance with customer specifications. It is possible to connect up to ten electric or hydraulic vibrators.

The SP 25/SP 25i is the ideal choice for completing special assignments both in the open and in tunnel construction - either with stringline or using the stringless WIRTGEN AutoPilot 2.0 or standard 3D systems. Moulds can be changed or the SP 25/SP 25i converted from inset to offset paving quickly right on the construction site.



2 | Highly precise paving of a 3.0 m wide embankment road using WIRTGEN AutoPilot 2.0.

3 | Paving a concrete slab track.

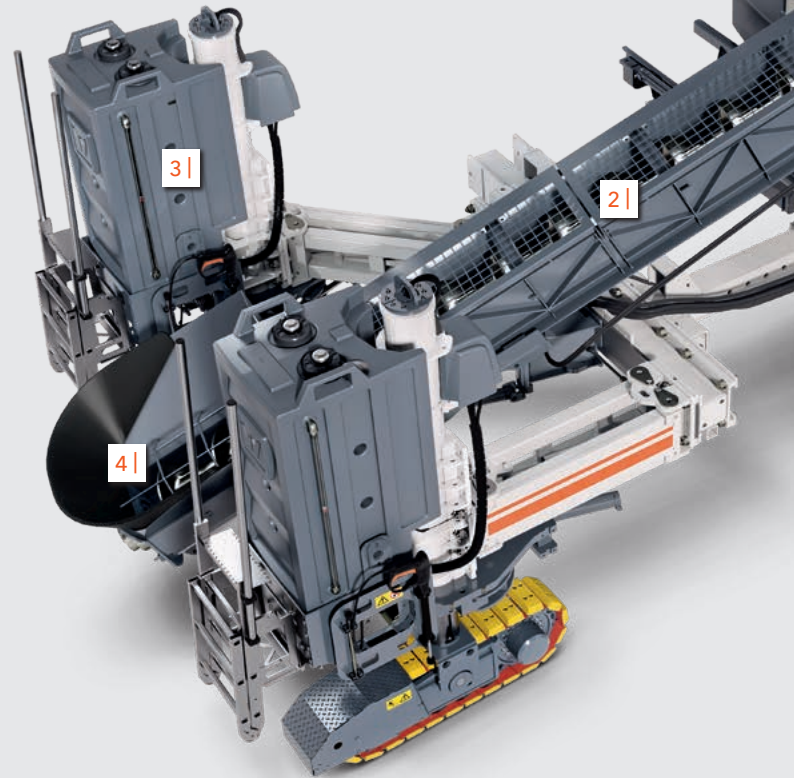
4 | Paving wheel tracks for an agricultural road.

5 | Paving a slab track in a tunnel using a 3D control system in extremely restricted space conditions.

6 | Producing a large water gutter.



- 1 | Walk-through operator's platform offering a good view of both the machine and the construction site
- 2 | Concrete feeding system in belt conveyor or auger conveyor design offering various adjustment options
- 3 | Water tank with a capacity of 550 l
- 4 | Receiving hopper for freshly delivered concrete
- 5 | Offset mould, suitable for mounting on the left and right side of the paver, telescoping to both sides
- 6 | Cross-feeding auger
- 7 | Clearly structured control panel, suitable for mounting on the left or right side of the operator's platform
- 8 | Service panel
- 9 | Weather canopy



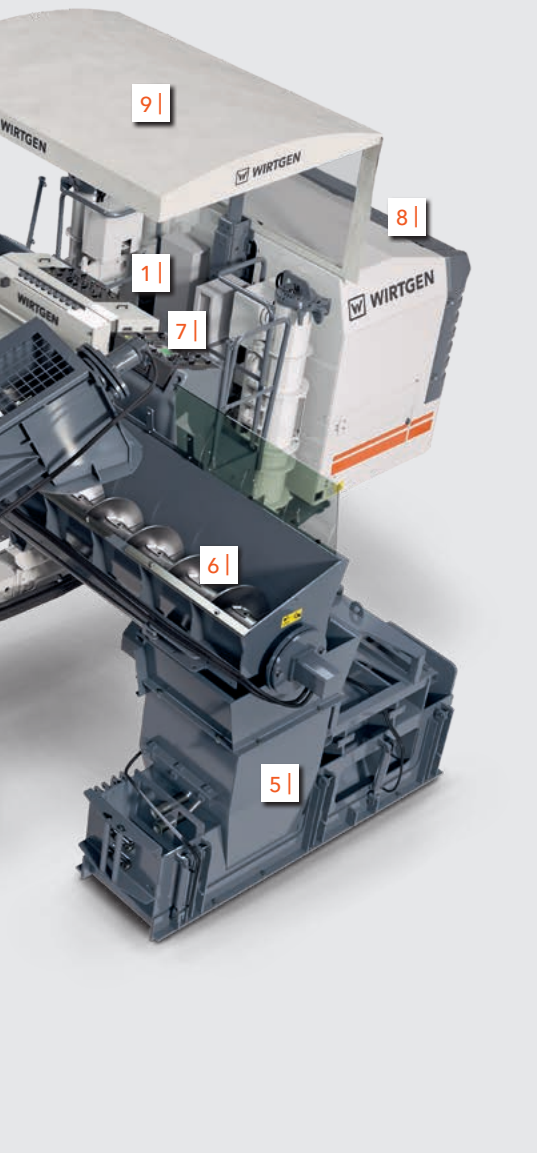
Offset concrete paver for complex applications

UNRIVALLED FLEXIBILITY

The SP 25/SP 25i slipform paver truly excels when it comes to pouring small or large concrete profiles in offset application. Where other slipform pavers have given up on the job long ago, the SP 25/SP 25i realizes its full potential: whether a profile needs to be poured across an existing profile or at a large distance or major difference in height between the machine frame and the paving site - these are the challenges that the SP 25/SP 25i masters with the greatest ease. Exceptional flexibility in positioning the paving mould, track units and concrete feeding system enables it to fully adapt to virtually any paving situation. Offset

paving moulds can optionally be mounted on the left or right side of the slipform paver.

The paver's repertoire includes concrete safety barriers, kerbs, kerb and gutter profiles, channels, water gutters and narrow roads as well as a wide variety of special profiles.



1 | The SP 25/ SP 25i produces large poured-in-place offset profiles at standard heights of up to 2.0 m or standard widths of up to 2.5 m.

2 | The paver is at its best when pouring concrete safety barriers of up to 2.0 m in height.



1 | Paving a rain-water gutter along a slope with the mould mounted on the right side of the machine.

Tremendous range of offset paving applications

THE SP 25/SP 25i IN ACTION

The SP 25/SP 25i produces poured-in-place concrete profiles at standard heights of up to 2.0 m or standard widths of up to 2.5 m. Even larger profiles can be realized in accordance with customer specifications. The geometries of the offset mould and mould mount are irrelevant, as mature manufacturing processes enable us to translate virtually any customer requirement into viable, real-life solutions. Tried-and-tested standard offset moulds can be supplied within an extremely short period of time. In addition, the WIRTGEN SP 25/SP 25i offers a unique selling proposition: the paving mould can be mounted on the left or right side of the paver.

Flexible positioning of the paving mould, track units and concrete feeding system tremendously increases the range of applications of the SP 25/SP 25i. The paver's flexibility is enhanced even further by the telescoping mould mount and the modular addition of individual complementary features.



2 | Paving a concrete safety barrier as central reservation.

3 | Paving a rainwater gutter with the mould mounted on the left side of the machine.

4 | Paving a 2.5 m wide bicycle path.

5 | Paving a large special profile.

6 | Paving a special profile on a farm.





**Standing here,
you're in charge.**

Be relaxed and comfortable during work while keeping everything in full view - a given with the SP 25/SP 25i. Clearly structured controls arranged with ergonomic principles in mind. Providing you with all the relevant information at a single glance. The intelligent visibility concept comes as a standard feature. With the SP 25/SP 25i, you're always in command. Ease of operation and high productivity become one.



1 | *Additional synergistic effects are created by the standardized, intuitive operating concept of the entire range of WIRTGEN slipform pavers.*

Relaxed working and ease of operation

GAINING FULL CONTROL QUICKLY

Everything on the operator's platform of the SP 25/SP 25i is arranged with clarity and ergonomic principles in mind. A state-of-the-art graphic screen is incorporated in the centre of the control panel: the multifunctional screen keeps the operator informed of all the relevant operating parameters on an event-driven basis. Operation of the paver via the screen is easy and promoted further by clear, language-independent labelling. The control panel can be mounted on the left or right to always ensure a perfect view of the entire paving process. A comprehensive lighting system is part of the paver's on-board equipment, permitting efficient operation

even in darkness. All of these features allow the operator to familiarize himself with the SP 25/SP 25i quickly, focus on his work and deliver top performance.

The weather canopy can be raised and lowered hydraulically even with the engine switched off and allows paving to continue regardless of weather conditions. Effective engine soundproofing and anti-vibration mounted treads minimize the impact of machine vibrations on both the operator and the environment.




2 | The convenient access ladder can be adjusted in height manually and folded in for transport.

3 | Control panel suitable for mounting on the left or right side for perfect visibility.

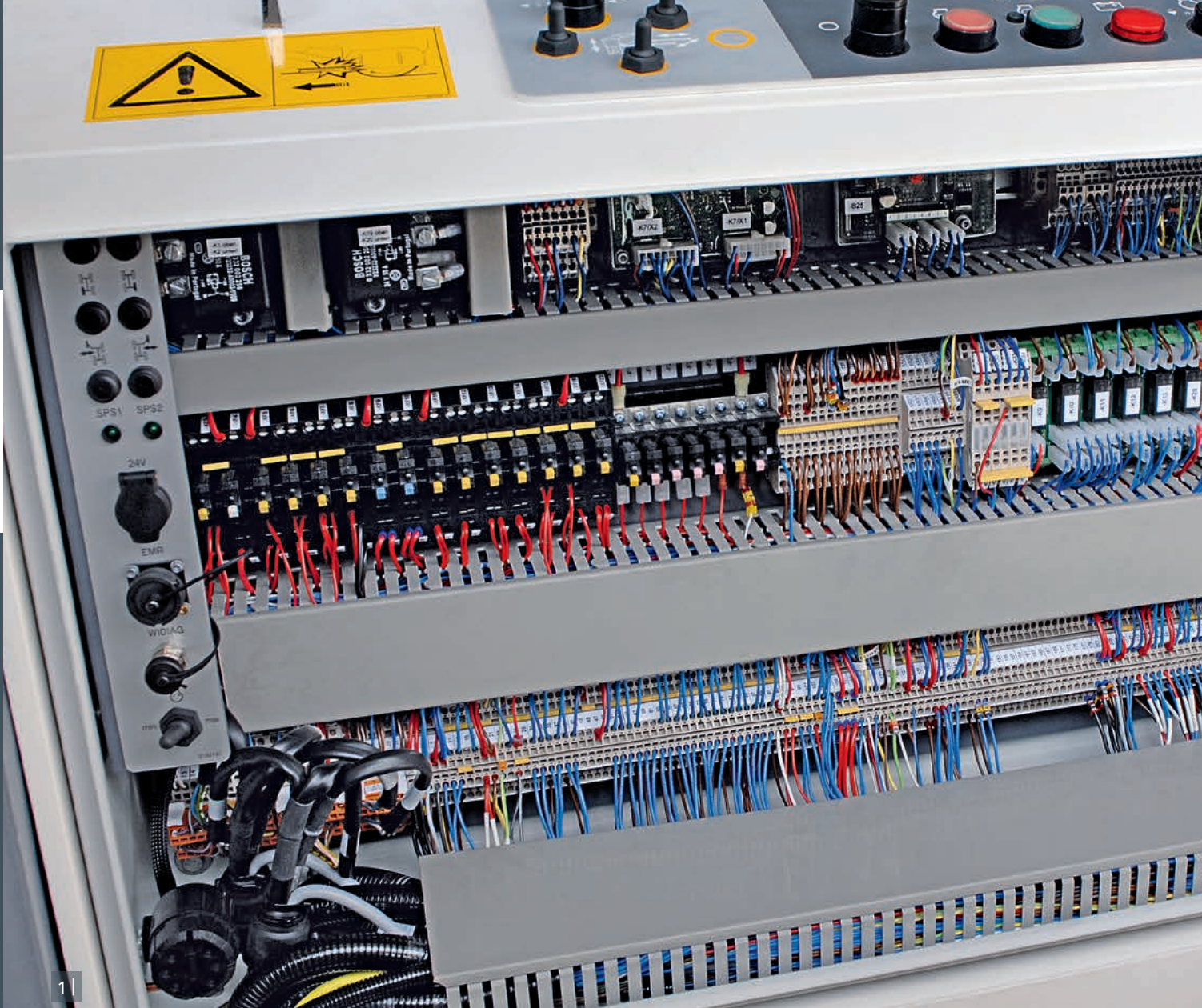
4 | Perfect view of the paving process from the spacious, ergonomically designed operator's platform.





Hidden intelligence.

While you are in command at the control panel of the SP 25/SP 25i, others are working in the background: innovative control technologies. Developed to precisely fit your specific requirements, based on our experience of many decades in this field. Tried-and-tested technologies. Autonomous, always wide awake. Hidden co-pilots that ensure ease of operation. That are intelligent. That manage, economize, boost performance. While you can fully focus on achieving work results of the highest quality. It all adds up.



1

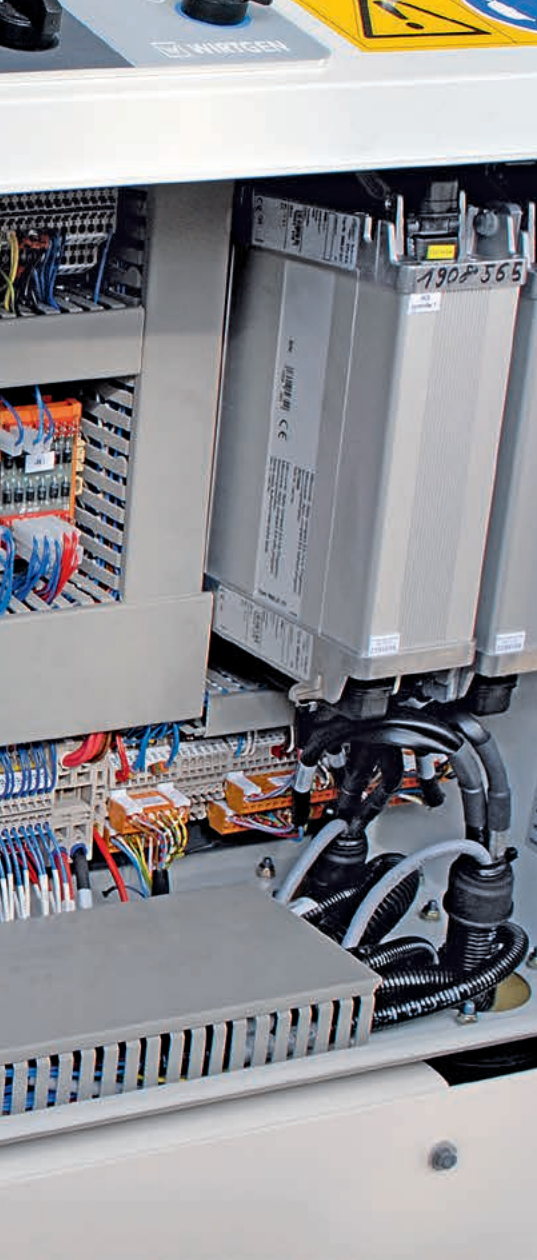
1 | Software developed in-house ensures high operational reliability.

Faultless operation – whatever the job

SOFTWARE AND HARDWARE

The SP 25/SP 25i slipform paver features an integrated machine control system of the highest quality, in which the large proportion of software developed in-house plays the decisive role. For the constant further development of the software guarantees maximum operational reliability of the machine. In addition, our many years of experience in software and hardware development allow for higher and more flexible machine functionality in terms of applications and meeting specific customer requirements.

Efficient engine management is an integral part of the machine control system. WIDIAG, the diagnostic system with standardized interface, is used by WIRTGEN service engineers for quick, specific service diagnostics right on site. In addition, the WIRTGEN WITOS FleetView telematics system supports fleet management, machine position and status monitoring, as well as maintenance and diagnostic procedures. In short: it is yet another key driver for improved efficiency in day-to-day operation.



2-3 | The high-quality machine control system guarantees perfect straight-ahead travel and precise steering in bends.

4 | Separate valves on the track units ensure high-precision height adjustment and steering control.

Precise driving behaviour – whatever the job

PRECISION IN CONCRETE PAVING GUARANTEED

The SP 25/SP 25i features an intelligent electronic steering and control system which offers everything it takes for precise driving behaviour and therefore high-precision concrete paving. The slipform paver comes into its own especially when working in bends.

This is where the tried-and-tested Ackermann steering system ensures precise driving behaviour and therefore highest concrete quality. The computer-assisted steering system varies the speed of the individual track units during cornering, thus enabling the SP 25/SP 25i to follow the previously specified references with pinpoint accuracy. In addition, the steering angle position of each track unit is adjusted fully automatically based on the radius to be paved and the paver geometry. An unbeatable feature!

1 | *In stringless operation, the SP 25/SP 25i permits a paving radius of 1.0 mm - or less.*

The SP 25/SP 25i is capable of producing profiles with a minimum radius of only 1.0 m. High-precision drive motor control guarantees smooth machine travel even when operating at extremely low speeds. The control system prevents spinning of the track units during cornering, maintaining optimum traction.

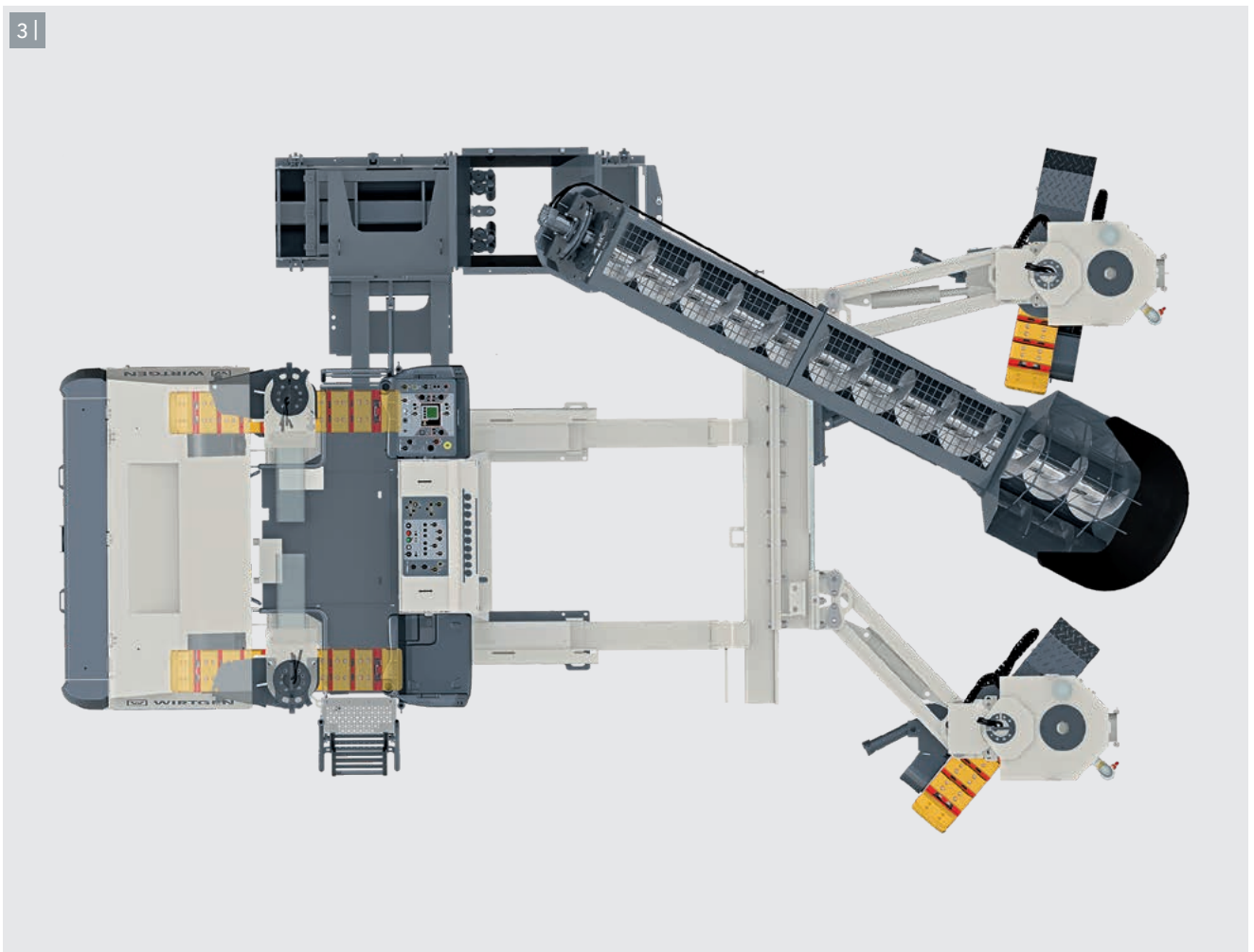
Additional steering modes - crab and coordinated - make easy work of repositioning and manoeuvring the slipform paver.





2 | Control panel with different steering mode settings for manoeuvring.

3 | Automatic adjustment of the steering angle and speed of each track unit to the paver's geometry.



State-of-the-art engine technology

24
25

EFFICIENT DIESEL ENGINE CONTROL

Fuel consumption of the SP 25/SP 25i is minimized by the integrated ECO mode diesel engine control system. Upon activation of the ECO mode system, the engine speed is adjusted to the paver's performance requirements in an automated process. The engine operates at low speeds, for example, to match low machine advance rates, and at higher speeds to match the machine's increasing travel speed. High or maximum engine speeds are only required at high machine advance rates or when operating vibrators or a trimmer. The ECO mode system detects the current paving situation and optimizes the engine speed in accordance with the machine features used without the need for manual operator intervention.

1 | *The ECO mode engine control system enables the SP 25/SP 25i to always work in the optimum performance and torque ranges.*

The performance-based engine management system guarantees low diesel consumption, low noise emission levels and low operating costs.

The engine technology of the SP 25 complies with the specifications of exhaust emission standards EU Stage IIIa/US Tier 3. The SP 25i features state-of-the-art engine technology for lowest environmental emission levels, complying with the strict specifications of exhaust emission standards EU Stage IV/US Tier 4f.

1 |



2 |



2 | The ECO mode engine control system guarantees low fuel consumption.

3 | Manual selection of the ECO mode system.



3 |



AutoPilot 2.0 – cost-efficient, stringless machine control system

26
27

WORK MORE EFFECTIVELY

The standard 3D machine control systems for producing poured-in-place concrete profiles by means of a slipform paver are frequently not a viable option especially for small contracting companies. This is mostly due to high investment costs, the level of technical support required in day-to-day operation, and the need to manage digital modelling data.

WIRTGEN provides customers with AutoPilot 2.0, an innovative and cost-efficient alternative system developed in-house, which eliminates these drawbacks. The system is based on GNSS (Global Navigation Satellite System) and has been precisely tailored for use with the SP 25/SP 25i, assisting with the

automated paving of a wide variety of different offset and inset concrete profiles, such as safety barriers on motorways or kerbs for traffic islands.

It requires no more than the uninterrupted reception of signals from a sufficiently large number of satellites and proficient use of the system including the Field Rover prism pole. Relevant points of the object to be paved are taught-in via a tablet computer on the Field Rover using software developed in-house. These are then used to compute a virtual stringline which is optimized for the slipform paving process and incorporates local conditions.

1 | *Stringless paving of poured-in-place profiles using the AutoPilot 2.0 system.*

2 | *The Field Rover is used to collect measuring points and perform check measurements.*

3 | *Following the successful calculation and verification of the virtual stringline, the tablet computer is placed into the docking station on the slipform paver.*



Unlike with conventional 3D systems, the digital data model is created on the construction site. After connecting the tablet computer on the operator's platform of the paver, the specifications stored in the system can be executed immediately without requiring any intermediate steps. The operator remains in full control, however, and can intervene in the autonomous paving process whenever necessary. The system also permits the import of data, offering unique verification and intuitive editing functions.

Major advantage of the system: it dispenses with time-consuming surveying operations, the installation and removal of stringline, and the preparation of a geodetic data model.





1 |

1 | WIRTGEN-specific acceptance procedures ensure safe application of the different 3D control systems.

High-precision 3D control

MADE-TO-MEASURE PROFILE PAVING

Stringless control systems will drive the future of professional concrete paving. In addition to ensuring high paving accuracy, 3D control systems offer yet another major advantage: establishing the digital terrain models is much more cost-effective than surveying and the

installation of stringline. The SP 25/SP 25i is all set for the job: an integrated standard interface enables it to be fitted with a state-of-the-art external 3D control system in lieu of AutoPilot 2.0.

In thorough acceptance procedures, we have tested the compatibility of the SP 25/SP 25i with the 3D control systems of leading suppliers, thus ensuring safety of use. In addition, our own experts are working on continuously improving and perfecting the systems.



2 |

2 | Field-proven integrated standard interface for 3D control systems.

Unrivalled cross slope control

PERFECT PAVING QUALITY

Perfect paving results are guaranteed by the electronic cross slope control system developed by WIRTGEN on the basis of the "Rapid Slope" sensor.

Optimized control technology enables the innovative cross slope control system to achieve as yet unmatched dynamics and precision. Significantly shorter machine response times are reflected in the precision and quality of the completed concrete product.

The WIRTGEN cross slope control system can be relied on to level out any vibrations or ground irregularities in virtually no time at all.

1-2 | *Cross slope specifications are adhered to with pinpoint precision.*



2 |





A close-up photograph of a Wirtgen SP 25 concrete paver machine. The machine is shown from a low angle, with its hopper tilted to pour concrete into the bed of a truck. The hopper has the Wirtgen logo and the text 'WIRTGEN' printed on it. The truck's large tire is visible on the right side. The background shows a clear blue sky and some greenery.

In perfect shape for mastering the difficult jobs.

Everyday challenges in concrete paving operations. Fixed obstacles, restricted space. Difficult ground conditions, difficulties in concrete supply. The innovative WIRTGEN SP 25 / SP 25i meets them all with made-to-measure, high-performance solutions. Offering unrivalled flexibility to adjust to the most diverse site conditions. With the fully modular machine design, for example, or the flexible mould system. Professional features making every job a success. The SP 25 / SP 25i - and all's right with the construction world.

Maximum stability in any given situation

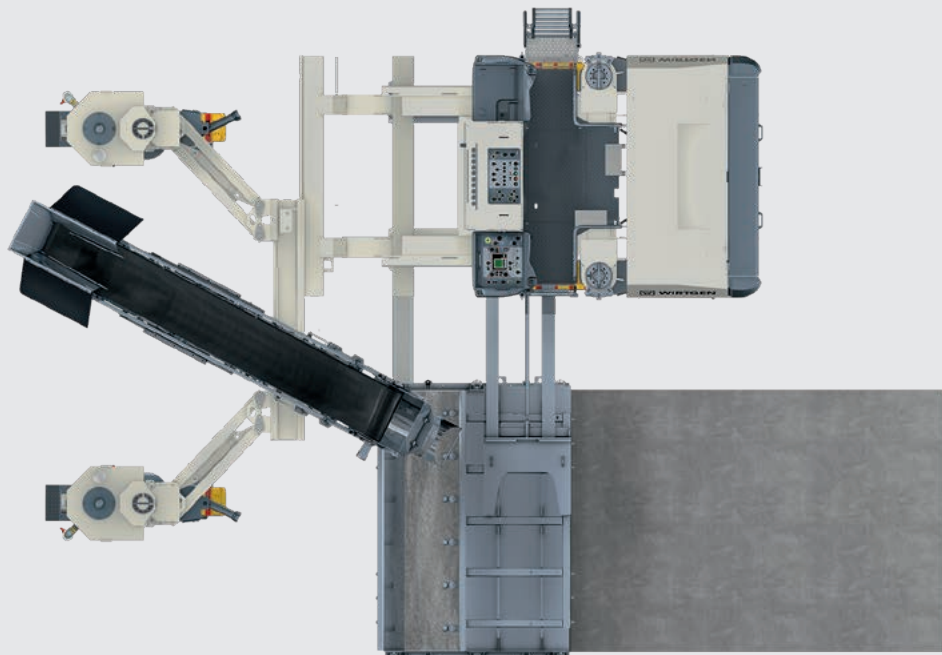
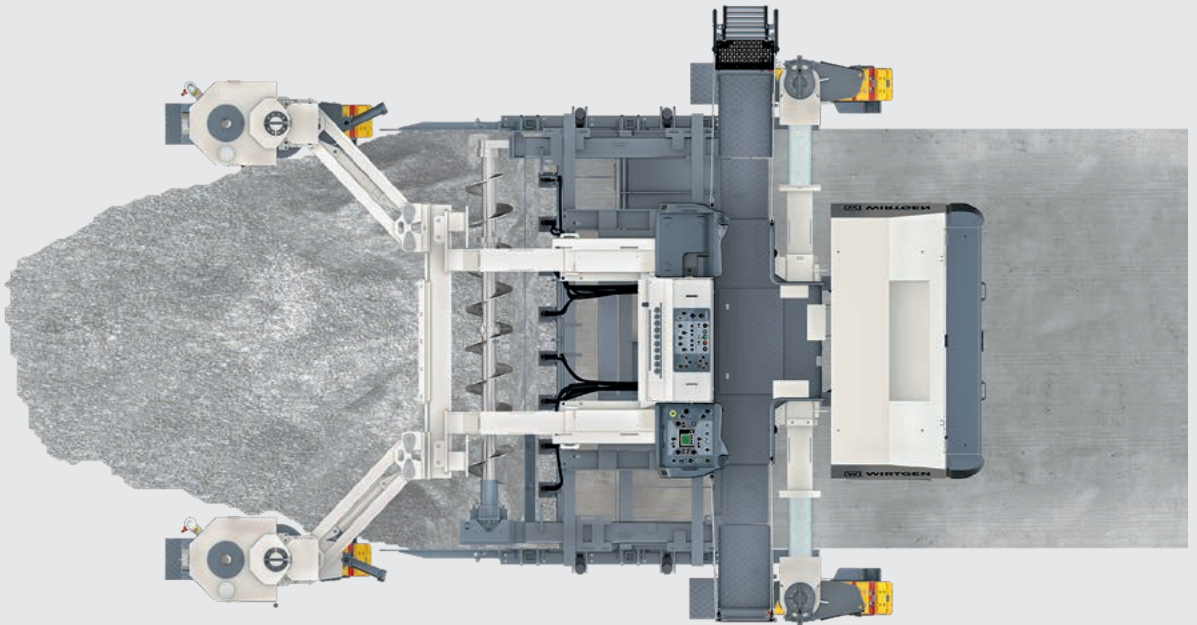
FULLY MODULAR MACHINE DESIGN

Offering a fully modular machine design, ease of modification and the effortless addition of complementary features, the SP 25/SP 25i caters to all inset and offset paving applications. The machine frame can be telescoped in both longitudinal and transverse direction, and the

paver's technical features allow reliable adjustment to any given site conditions.

The SP 25/SP 25i can be equipped with add-on components to offer solutions for complex, customer-specific paving requirements. In addition, standard interfaces even allow the

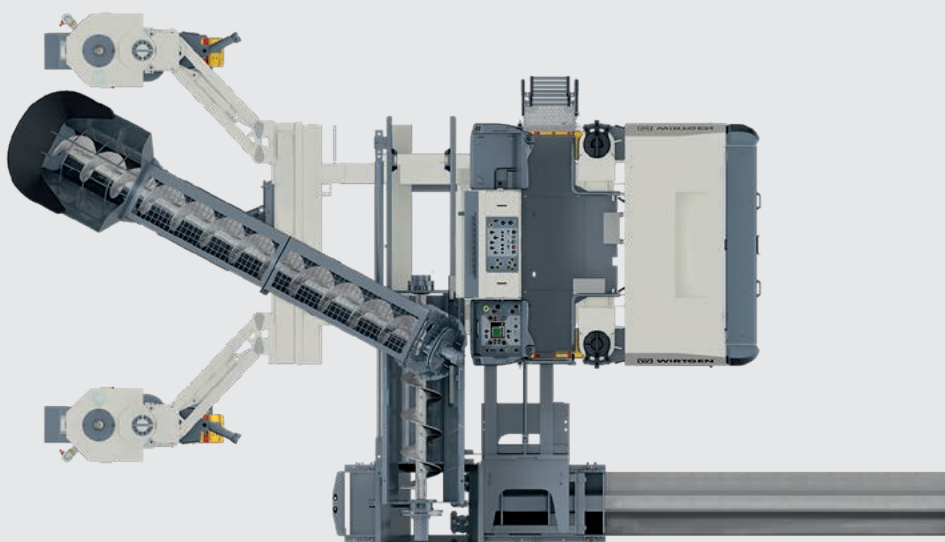
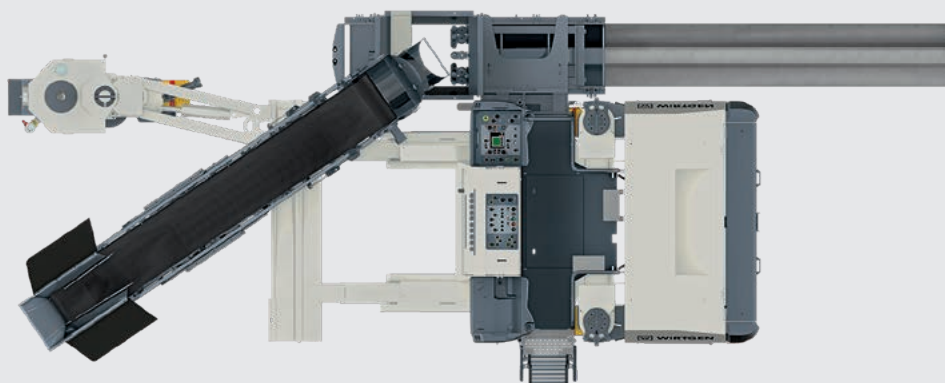
EXAMPLES OF MACHINE SETUP OPTIONS



slipform paver to be retrofitted with customer options.

One or two front track units with large pivoting angles and laterally telescoping rear track units with extension elements offer maximum flexibility. The stability of the SP 25/SP 25i can be increased even further by means of the telescoping front frame section with two pivoting track units.

The offset paving mould can be mounted on the left or right side of the machine, adjusted in height hydraulically and telescoped to either side. Numerous adjustment options for the different concrete feeding systems and an additional cross-feeding auger ensure flexibility in concrete feeding.





11

1 | *The concrete feeding system - as shown here in belt conveyor design - can be slewed hydraulically to the left or right.*

Maximum flexibility in concrete feeding

THE IDEAL FEEDING SYSTEM FOR EACH PAVING SITUATION

No two job sites are alike: special requirements such as narrow passages, bends, large offsets or high concrete volumes often call for special concrete feeding solutions. The SP 25/SP 25i has just the right answer to any of these situations: it can be fitted with an auger conveyor, belt conveyor or folding belt conveyor. The belt conveyor impresses with high conveying speed, ready access and ease of cleaning. The auger conveyor can be adjusted to an incline of up to 45° and is capable of holding extra quantities to ensure continuous concrete supply during truck changes. And when equipped with the folding belt

conveyor, the SP 25/SP 25i can be transported with ease even on small transport vehicles.

The different concrete feeding systems offer continuously adjustable conveying speeds. The hopper at the lower end of the feeding system is capable of holding large quantities of freshly delivered concrete.



2 |

WIRTTGEN



3 |

2 | The concrete feeding system can be adjusted hydraulically from the operator's platform.

3 | The hydraulically slewing cross-feeding auger is ideal for use as a buffer as it is capable of holding larger concrete volumes.



4 |

4 | The SP 25/ SP 25i can optionally be fitted with an auger conveyor in lieu of the belt conveyor.

Numerous options for mounting the paving mould

MOUNTING ON BOTH SIDES OF THE PAVER

A big mark in favour of the SP 25/SP 25i: offset moulds can be mounted on the left or right side of the machine. This feature enables both the paver and the mixer truck to move along with the flowing traffic while at the same time causing minimum disruptions.

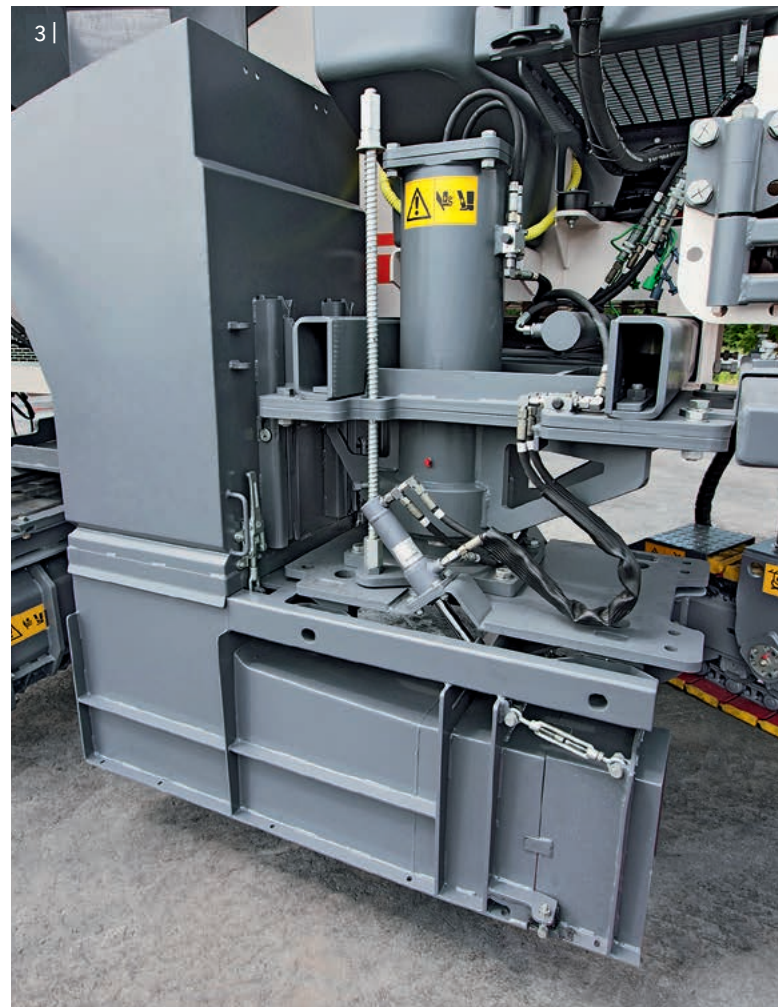
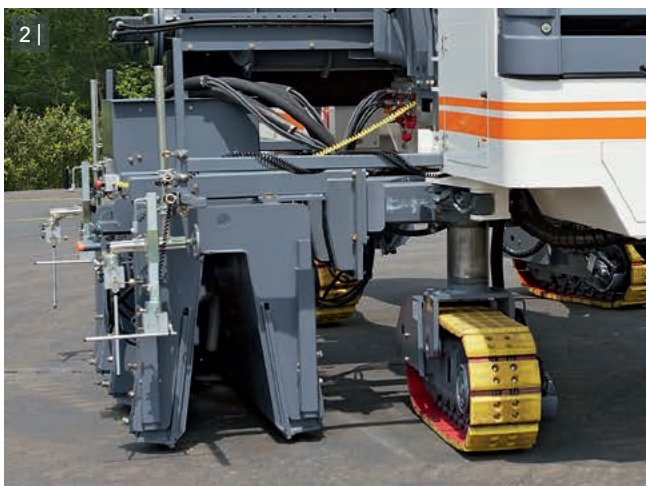
In addition, the mould mount can be telescoped hydraulically by up to 1,100 mm to allow offset profiles to be paved far to one side of the machine frame. Height adjustment is effected via the track units.

Where complex paving situations require a specific connection of the mould to the machine frame, WIRTGEN offers solutions fully tailored to customer requirements.

Yet another highlight: the hydraulically operated quick-change mould-mounting system permits moulds to be changed quickly and with only little effort. The operating principle is quite simple: lower machine, drive forward, secure - and here goes.

1-2 | *Hydraulically telescoping offset paving mould.*

3 | *The quick-change mould-mounting system allows kerb and gutter profiles to be exchanged quickly and easily.*



4 |



5 |



4-5 | The mould can be mounted on the left or right - modification is completed within an extremely short time.

Perfect preparation of the base using a trimmer

1 | *The trimmer offers numerous adjustment options via hydraulic cylinders.*



LEVEL BASE FOR A PERFECT PAVING PROCESS

The design of the trimmer is based on our unmatched expertise gained in several decades of experience in cutting technology. The trimmer is fitted with picks arranged in a helical pattern, fine-grading an insufficiently level base to ensure uniform profile paving.

The trimmer is arranged right in front of the paving mould and can be adjusted in height and cross slope as well as telescoped to either side. The unit has a basic width of 600 mm

and can be extended in increments to a maximum width of 1,600 mm.

Customized solutions - such as a trimmer conveying the material towards the periphery of the machine - can also be realized.

2 | *The trimmer fine-grades the previously compacted base to a working depth of up to 150 mm.*



1 |



1 | Transport on a low-loader truck - a perfect match!

Intelligent transport concept

OPTIMIZED MACHINE DIMENSIONS

Excellent manoeuvrability and an exceedingly compact design speed up loading and transport of the SP 25/SP 25i slipform paver. Minimum effort is required to prepare the machine for transport.

The weather canopy can be lowered to transport height hydraulically, and the access ladder can be folded in for transport. And when equipped with the folding belt conveyor, the SP 25/SP 25i can be transported with ease even on small transport vehicles.

2 |



2 | The weather canopy is lowered to transport height hydraulically.

3 | In folding design, the belt conveyor can be folded hydraulically for transport.

3 |



Technical specification

	SP 25	SP 25i
Range of applications	Offset paving/ Inset paving	
Concrete feeding system		
Belt conveyor	Length: 4,900 mm; belt width: 600 mm	
Belt conveyor, long (option)	Length: 5,900 mm; belt width: 600 mm	
Folding belt conveyor (option)	Length: 6,000 mm; belt width: 600 mm	
Auger conveyor (option)	Length: 4,600 mm; auger diameter: 400 mm	
Auger conveyor, long (option)	Length: 5,700 mm; auger diameter: 400 mm	
Concrete equipment for offset paving		
Arrangement	Left/ right	
Lateral adjustment of mould	1,100 mm	
Height adjustment of mould (option)	400 mm	
Max. mould height	2,000 mm *1	
Max. mould width	2,500 mm *1	
Cross-feeding auger	Length: 2,500 mm; auger diameter: 400 mm	
Concrete equipment for inset paving (option)		
Slab paving mould	1,000 mm to 3,500 mm	
Metering gate	1,000 mm to 3,500 mm	
Cross-spreading auger	2,000 mm to 3,500 mm	
Oscillating beam	2,000 mm to 3,500 mm	
Super smoother	2,000 mm to 3,500 mm	
Max. layer thickness	400 mm *1	
Vibration		
Connectors for hydraulic vibration	5 or 10 (option)	
Connectors for electric vibration (option)	5 or 10	
Trimmer (option)		
Standard width	600 mm	
Max. width	1,600 mm *2	
Working depth	0 to 150 mm	
Drum diameter with tools	500 mm	
Maximum lift	775 mm	
Hydraulic height adjustment	400 mm	
Mechanical height adjustment	375 mm	
Lateral adjustment of trimmer	1,900 mm	
Engine		
Engine manufacturer	Deutz	Deutz
Type	TCD 2012 L06 2V AG3	TCD 4.1 L4
Cooling	Water	Water
Number of cylinders	6	4
Rated power at 2,100 rpm	118 kW/ 158 HP/ 160 PS	115 kW/ 154 HP/ 156 PS

*1 = Please consult factory for different special applications

*2 = Please consult factory for special widths

	SP 25	SP 25i
Engine		
Displacement	6,057 cm ³	4,040 cm ³
Fuel consumption, full load	32.0 l/h	30.2 l/h
Fuel consumption, field mix	14.3 l/h	13.5 l/h
Exhaust emission standards	EU Stage IIIa/US Tier 3	EU Stage IV/US Tier 4f
Electrical system		
Voltage supply	24 V	
Filling capacities		
Fuel	440 l	375 l
AdBlue®/DEF* ³	-	20 l
Hydraulic oil	135 l	
Water (option)	1,100 l (2 x 550 l)	
Driving performance		
Operating speed	0 to 15 m/min	
Travel speed	0 to 35 m/min	
Track units		
	Standard	Option
Number	3	4
Arrangement	2 x rear / 1 x front	1 x additional front
Dimensions (L x W x H)	1,580 x 300 x 540 mm	
Height adjustment of machine		
Hydraulic height adjustment	1,250 mm	
Mechanical height adjustment	560 mm	
Transport dimensions (L x W x H)*⁴		
Basic machine without concrete feeding system	6,100 mm x 2,500 mm x 2,900 mm	
Basic machine with belt conveyor	8,300 mm x 2,500 mm x 2,950 mm	
Basic machine with folding belt conveyor	7,100 mm x 2,500 mm x 2,950 mm	
Basic machine with auger conveyor	7,900 mm x 2,500 mm x 2,950 mm	
Belt conveyor without chute	5,500 mm x 1,050 mm x 680 mm	
Folding belt conveyor without chute	6,600 mm x 1,050 mm x 930 mm	
Auger conveyor without chute	5,100 mm x 1,150 mm x 1,000 mm	
Trimmer	2,300 mm x 800 mm x 1,680 mm	
Machine weights*⁵		
	Three-track design	Four-track design
Empty weight of basic machine with belt conveyor	13,000 kg	15,500 kg
Operating weight, CE* ⁶ of basic machine with belt conveyor	13,600 kg	16,100 kg
Max. operating weight, full tanks, with trimmer, auger conveyor without paving mould	16,000 kg	20,000 kg
Trimmer, working width 600 mm	1,300 kg	
Belt conveyor	850 kg	
Folding belt conveyor	920 kg	
Auger conveyor	1,300 kg	

*³ = AdBlue® is a registered trademark of the Association of the Automotive Industry (Verband der Automobilindustrie e. V.; VDA)

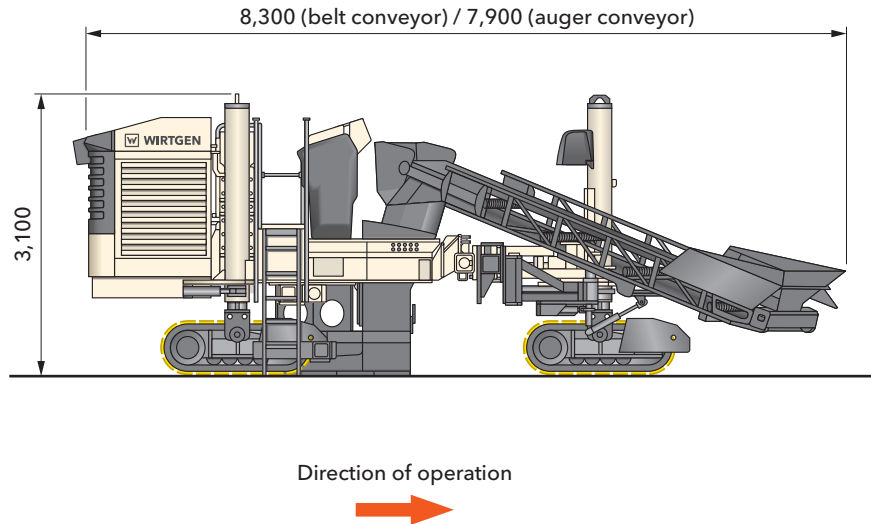
*⁴ = All specifications are minimum specifications without offset mould mounted on the paver

*⁵ = Weights depend on the paver's range of equipment and working width

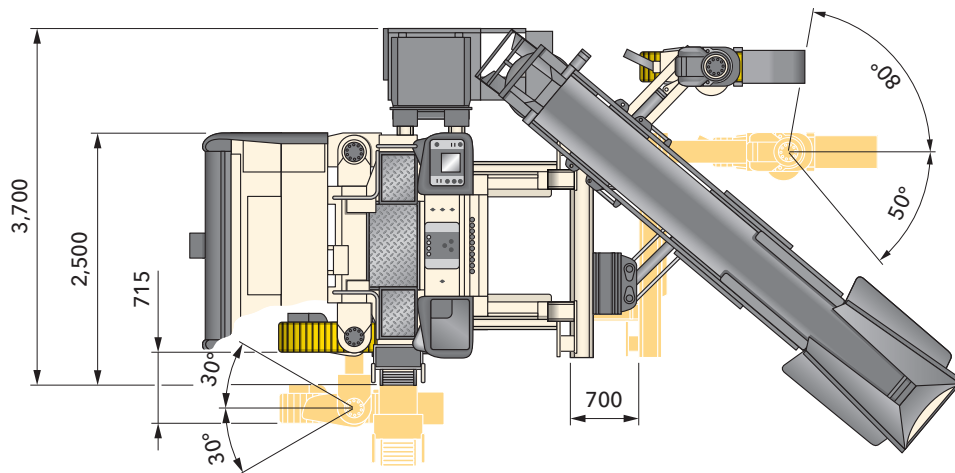
*⁶ = Weight of machine, half weight of all operating materials, machine operator (75 kg), on-board tools, no optional equipment features

Dimensions

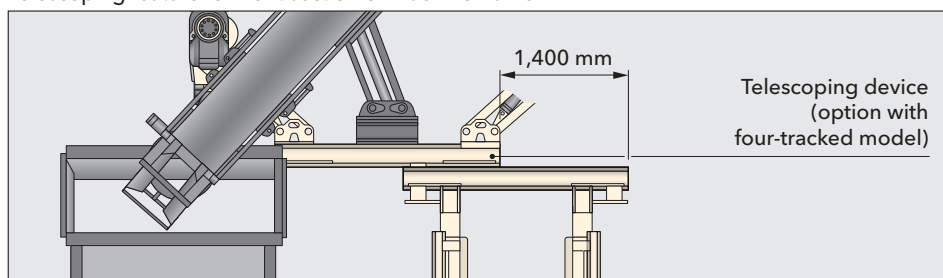
Offset machine: side view with belt conveyor



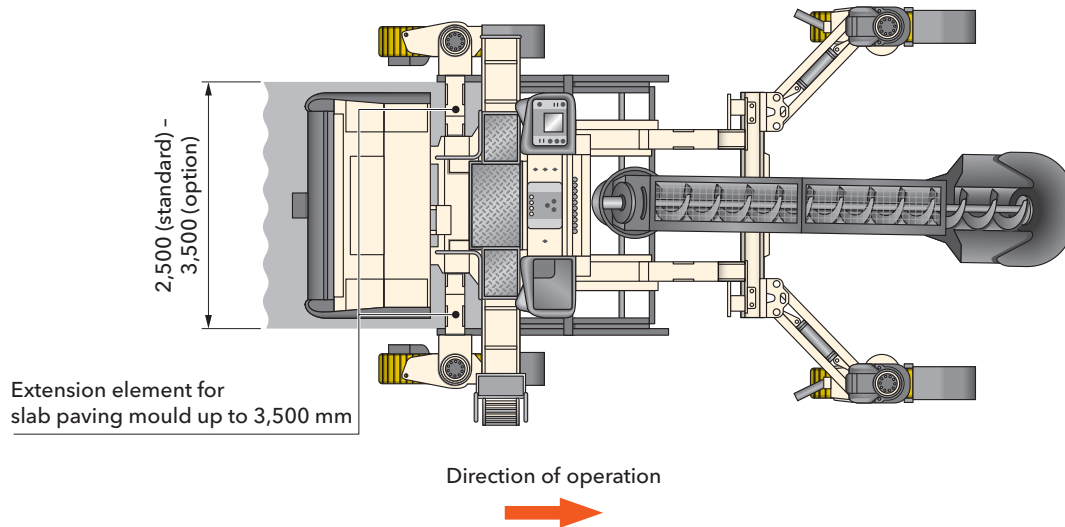
Offset machine: arrangement of track units



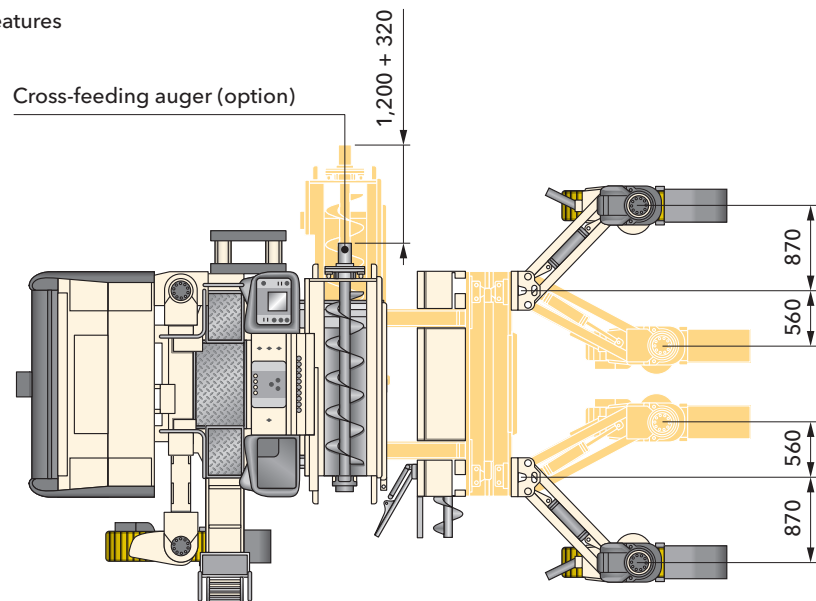
Telescoping feature for front section of machine frame



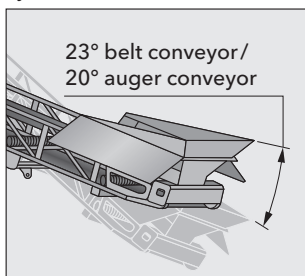
Inset machine: top view with auger conveyor



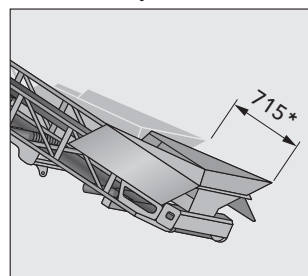
Offset machine: arrangement of track units and optional equipment features



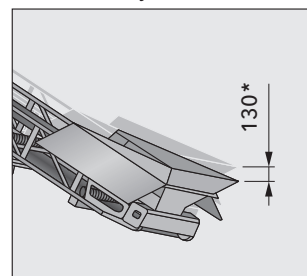
Incline of concrete feeding system



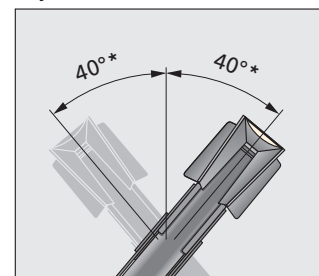
Longitudinal adjustment of belt conveyor



Mechanical height adjustment of belt conveyor



Slewing angle of belt conveyor



Dimensions in mm

* = Details also applicable to auger conveyor

Standard equipment features

	SP 25	SP 25i
Basic machine		
Fuel tank, 220 l	■	–
Fuel tank, 375 l	–	■
Hydraulic oil tank, 250 l	■	■
Electrical system (24 V)	■	■
Hydraulic pump system	■	■
Pressure-and-flow-controlled hydraulic pump, open circuit, for driving the track units	■	■
Pressure-and-flow-controlled hydraulic pump, open circuit, for driving the hydraulic or electric vibrators or for driving the track units in second gear	■	■
Pressure-controlled hydraulic pump, open circuit, for all cylinder functions	■	■
Proportionally controlled hydraulic pump, closed circuit, for driving the auger conveyor or belt conveyor	■	■
Main frame and height adjustment		
Sturdy machine frame for accommodating two track units at the rear and one or two track units at the front	■	■
Telescoping in length by 0.70 m to adjust the machine to site conditions or to allow mounting of a trimmer	■	■
Telescoping in width by 0.715 m hydraulically at the rear by extending one or both rear track units to either improve machine stability in offset application when paving specific profiles, or to enable paving moulds with a working width of up to 2.50 m to be mounted between the rear track units	■	■
Chassis and chassis linkage		
Hydraulically driven track units, 1.56 m long; gear ratio 1:122; including towing device	■	■
Continuously adjustable paving speed from 0 to 15 m/min	■	■
Continuously adjustable transport speed from 0 to 35 m/min	■	■
Hydraulic levelling cylinders with a stroke of 1.25 m	■	■
Model with one rigid front track unit connection	□	□
Three track units fitted with triple-grouser steel track pads	□	□
Machine control, levelling and steering		
Digital control system with LCD display providing the operator with all pertinent information and allowing parameter settings, e.g. free choice of languages (D/GB/F/E/NL), to be made via a menu	■	■
Proportional electrohydraulic levelling and steering by means of a PLC system including two levelling sensors, two steering sensors and one slope sensor	■	■
Sensor mounting brackets, adjustable in height and range	■	■
Vibration		
Hydraulic vibrator drive for up to 5 vibrators	□	□
Two straight vibrators D66, hydraulically driven	□	□
Concrete feeding system		
Belt conveyor 4.90 m x 0.60 m with reversible hydraulic drive, hydraulically adjustable	□	□
Steel chute	□	□
Concrete equipment for offset paving		
The offset paving moulds can be mounted on the left or right side of the machine	■	■
Offset mould mount telescoping hydraulically to one side; stroke: 1.10 m	□	□
Offset paving mould up to 0.60 m wide, max. height of 0.40 m	□	□
Miscellaneous		
Pre-fitting for installing the WITOS FleetView control unit	■	■
European design type certification, EuroTest mark and CE conformity	■	■
Standard painting in RAL 9001 (cream)	□	□
WITOS FleetView – professional telematics solution to optimize machine use and servicing	□	□
Lighting system including 3 halogen working lights, 24 V	□	□

- = Standard equipment
- = Standard equipment, replaceable with optional equipment
- = Optional equipment

Optional equipment features

	SP 25	SP 25i
Chassis and chassis linkage		
Model with one pivoting front track unit connection (parallelogram arm)	<input type="checkbox"/>	<input type="checkbox"/>
Fourth track unit and two pivoting front track unit connections (parallelogram arms)	<input type="checkbox"/>	<input type="checkbox"/>
Model with track units connected directly to the front section of the machine frame	<input type="checkbox"/>	<input type="checkbox"/>
Three track units fitted with polyurethane track pads	<input type="checkbox"/>	<input type="checkbox"/>
Four track units fitted with triple-grouser steel track pads	<input type="checkbox"/>	<input type="checkbox"/>
Four track units fitted with polyurethane track pads	<input type="checkbox"/>	<input type="checkbox"/>
Extension element for telescoping device of machine frame, front	<input type="checkbox"/>	<input type="checkbox"/>
Frame extension elements, rear, for 2.50 m to 3.50 m wide paving moulds	<input type="checkbox"/>	<input type="checkbox"/>
Frame extension elements, front, for 2.50 m to 3.50 m wide paving moulds	<input type="checkbox"/>	<input type="checkbox"/>
Machine control, levelling and steering		
Two slab tracers	<input type="checkbox"/>	<input type="checkbox"/>
Third height and steering sensor for paving in corners with tight radii	<input type="checkbox"/>	<input type="checkbox"/>
Pre-fitting for 3D levelling	<input type="checkbox"/>	<input type="checkbox"/>
AutoPilot 2.0 (868 - 870 MHz) with Field Rover	<input type="checkbox"/>	<input type="checkbox"/>
AutoPilot 2.0 (902 - 928 MHz) with Field Rover	<input type="checkbox"/>	<input type="checkbox"/>
Training for AutoPilot 2.0	<input type="checkbox"/>	<input type="checkbox"/>
Laser transmitter for AutoPilot 2.0 including stand	<input type="checkbox"/>	<input type="checkbox"/>
Laser receiver for AutoPilot 2.0	<input type="checkbox"/>	<input type="checkbox"/>
Ultrasonic sensor for AutoPilot 2.0	<input type="checkbox"/>	<input type="checkbox"/>
Total station Leica iCON robot 50 for AutoPilot 2.0	<input type="checkbox"/>	<input type="checkbox"/>
Additional tablet computer with case for AutoPilot 2.0	<input type="checkbox"/>	<input type="checkbox"/>
Concrete spreading equipment for slab paving		
Cross-spreading auger, 2.50 m long, suitable in particular for use with safety barrier moulds and trimmer	<input type="checkbox"/>	<input type="checkbox"/>
Spreading auger, 2.00 m, for paving mould	<input type="checkbox"/>	<input type="checkbox"/>
Spreading auger - extension element 0.25 m, right-hand pitch	<input type="checkbox"/>	<input type="checkbox"/>
Spreading auger - extension element 0.50 m, right-hand pitch	<input type="checkbox"/>	<input type="checkbox"/>
Spreading auger - extension element 0.75 m, right-hand pitch	<input type="checkbox"/>	<input type="checkbox"/>
Vibration		
Electric vibrator drive with 10-kVA generator for up to 5 vibrators	<input type="checkbox"/>	<input type="checkbox"/>
Two curved vibrators D66, hydraulically driven	<input type="checkbox"/>	<input type="checkbox"/>
Two straight vibrators D66, electrically driven	<input type="checkbox"/>	<input type="checkbox"/>
Two curved vibrators D66, electrically driven	<input type="checkbox"/>	<input type="checkbox"/>
Hydraulic vibration, addition (5x)	<input type="checkbox"/>	<input type="checkbox"/>
Electric vibration, addition (5x)	<input type="checkbox"/>	<input type="checkbox"/>
Straight vibrator D66, hydraulically driven	<input type="checkbox"/>	<input type="checkbox"/>
Curved vibrator D66, hydraulically driven	<input type="checkbox"/>	<input type="checkbox"/>
Straight vibrator D66, electrically driven	<input type="checkbox"/>	<input type="checkbox"/>
Curved vibrator D66, electrically driven	<input type="checkbox"/>	<input type="checkbox"/>
Concrete equipment for slab paving		
Paving mould series 900 m, basic width 1.00 m	<input type="checkbox"/>	<input type="checkbox"/>
Paving mould series 900 m/910 m - extension element 0.25 m	<input type="checkbox"/>	<input type="checkbox"/>
Paving mould series 900 m - extension element 0.50 m	<input type="checkbox"/>	<input type="checkbox"/>
Paving mould series 900 m - extension element 0.75 m	<input type="checkbox"/>	<input type="checkbox"/>

- = Standard equipment
- = Standard equipment, replaceable with optional equipment
- = Optional equipment

Optional equipment features

	SP 25	SP 25i
Concrete equipment for slab paving		
Paving mould series 900 m - extension element 1.00 m	<input type="checkbox"/>	<input type="checkbox"/>
Ancillary parts for mounting paving moulds (2.50 m-3.50 m)	<input type="checkbox"/>	<input type="checkbox"/>
Trailing side header, 2.80 m long, with trailing side header extension	<input type="checkbox"/>	<input type="checkbox"/>
Metering gate for paving mould - basic width 1.00 m	<input type="checkbox"/>	<input type="checkbox"/>
Hydraulic height adjustment for metering gate	<input type="checkbox"/>	<input type="checkbox"/>
Metering gate - extension element 0.25 m	<input type="checkbox"/>	<input type="checkbox"/>
Metering gate - extension element 0.50 m	<input type="checkbox"/>	<input type="checkbox"/>
Metering gate - extension element 0.75 m	<input type="checkbox"/>	<input type="checkbox"/>
Metering gate - extension element 1.00 m	<input type="checkbox"/>	<input type="checkbox"/>
Oscillating beam - basic width 2.00 m	<input type="checkbox"/>	<input type="checkbox"/>
Oscillating beam - extension element 0.25 m	<input type="checkbox"/>	<input type="checkbox"/>
Oscillating beam - extension element 0.50 m	<input type="checkbox"/>	<input type="checkbox"/>
Oscillating beam - extension element 0.75 m	<input type="checkbox"/>	<input type="checkbox"/>
Super smoother - basic width 2.00 m	<input type="checkbox"/>	<input type="checkbox"/>
Super smoother - extension element 0.25 m	<input type="checkbox"/>	<input type="checkbox"/>
Super smoother - extension element 0.50 m	<input type="checkbox"/>	<input type="checkbox"/>
Concrete feeding system		
Belt conveyor 5.90 m x 0.60 m with reversible hydraulic drive, hydraulically adjustable	<input type="checkbox"/>	<input type="checkbox"/>
Belt conveyor 6.00 m x 0.60 m, in folding design, with reversible hydraulic drive, hydraulically adjustable	<input type="checkbox"/>	<input type="checkbox"/>
Auger conveyor 4.60 m x 0.40 m with reversible hydraulic drive, hydraulically adjustable	<input type="checkbox"/>	<input type="checkbox"/>
Auger conveyor 5.70 m x 0.40 m with reversible hydraulic drive, hydraulically adjustable	<input type="checkbox"/>	<input type="checkbox"/>
Steel-rubber chute	<input type="checkbox"/>	<input type="checkbox"/>
Concrete equipment for offset paving		
Offset mould mount telescoping hydraulically to both sides; stroke: 1.10 m	<input type="checkbox"/>	<input type="checkbox"/>
Offset paving mould from 0.60 m to 1.20 m wide, max. height of 0.40 m	<input type="checkbox"/>	<input type="checkbox"/>
Offset paving mould from 1.20 m to 1.80 m wide, max. height of 0.40 m	<input type="checkbox"/>	<input type="checkbox"/>
Offset paving mould up to 0.90 m high, max. base width of 0.60 m, including hopper	<input type="checkbox"/>	<input type="checkbox"/>
Offset paving mould up to 1.20 m high, max. base width of 0.60 m, including hopper	<input type="checkbox"/>	<input type="checkbox"/>
Split offset paving mould up to 0.60 m wide, max. height of 0.40 m	<input type="checkbox"/>	<input type="checkbox"/>
Split offset paving mould from 0.60 m to 1.20 m wide, max. height of 0.40 m	<input type="checkbox"/>	<input type="checkbox"/>
Bottom part for split offset paving mould up to 0.60 m wide (max. height of 0.40 m)	<input type="checkbox"/>	<input type="checkbox"/>
Bottom part for split offset paving mould from 0.60 m to 1.20 m wide (max. height of 0.40 m)	<input type="checkbox"/>	<input type="checkbox"/>
Height adapter for split offset paving moulds	<input type="checkbox"/>	<input type="checkbox"/>
Height-adjustable mould mount with 0.40 m lift for split offset mould	<input type="checkbox"/>	<input type="checkbox"/>
Hydraulic quick-change system for offset paving mould	<input type="checkbox"/>	<input type="checkbox"/>
Additional adapter plate for quick-change system	<input type="checkbox"/>	<input type="checkbox"/>
Set of hydraulic components for telescoping the offset mould mount	<input type="checkbox"/>	<input type="checkbox"/>

- = Standard equipment
- = Standard equipment, replaceable with optional equipment
- = Optional equipment

	SP 25	SP 25i
Offset trimmer		
Trimmer, basic width 0.60 m, for mounting on the left side	<input type="checkbox"/>	<input type="checkbox"/>
Trimmer - extension 0.20 m wide, for mounting on the left side	<input type="checkbox"/>	<input type="checkbox"/>
Trimmer - extension 0.40 m wide, for mounting on the left side	<input type="checkbox"/>	<input type="checkbox"/>
Trimmer, basic width 0.60 m, for mounting on the right side	<input type="checkbox"/>	<input type="checkbox"/>
Trimmer - extension 0.20 m wide, for mounting on the right side	<input type="checkbox"/>	<input type="checkbox"/>
Trimmer - extension 0.40 m wide, for mounting on the right side	<input type="checkbox"/>	<input type="checkbox"/>
Operator's platform		
Weather umbrella for operator's platform	<input type="checkbox"/>	<input type="checkbox"/>
Weather canopy for operator's platform, hydraulically telescoping in height	<input type="checkbox"/>	<input type="checkbox"/>
Miscellaneous		
Painting in one special colour (RAL)	<input type="checkbox"/>	<input type="checkbox"/>
Painting in two special colours (RAL)	<input type="checkbox"/>	<input type="checkbox"/>
Painting in max. two special colours with the lower part of the machine painted in special colour (RAL)	<input type="checkbox"/>	<input type="checkbox"/>
High-performance lighting system including 3 LED working lights, 24 V	<input type="checkbox"/>	<input type="checkbox"/>
Lighting system including 4 halogen working lights, 24 V	<input type="checkbox"/>	<input type="checkbox"/>
High-performance lighting system including 4 LED working lights, 24 V	<input type="checkbox"/>	<input type="checkbox"/>
Hydraulic high-pressure water cleaning system with 550-l plastic tank	<input type="checkbox"/>	<input type="checkbox"/>
Additional water pump, 24 V	<input type="checkbox"/>	<input type="checkbox"/>
Additional plastic water tank, 550 l	<input type="checkbox"/>	<input type="checkbox"/>
Stringline tensioning system, complete with 1,000 m steel wire rope	<input type="checkbox"/>	<input type="checkbox"/>
Second tensioning winch for levelling the machine using two steel wire ropes	<input type="checkbox"/>	<input type="checkbox"/>
Stringline tensioning system, complete with 4 x 300 m nylon rope	<input type="checkbox"/>	<input type="checkbox"/>
Radius kit, fibreglass rod as stringline replacement for paving in corners with different radii	<input type="checkbox"/>	<input type="checkbox"/>
Machine commissioning (day rate)	<input type="checkbox"/>	<input type="checkbox"/>
Export packaging	<input type="checkbox"/>	<input type="checkbox"/>

- = Standard equipment
- = Standard equipment, replaceable with optional equipment
- = Optional equipment



WIRTGEN GmbH

Reinhard-Wirtgen-Str. 2 · 53578 Windhagen · Germany
Phone: +49 (0)26 45/131-0 · Fax: +49 (0)26 45/131-392
Internet: www.wirtgen.com · E-Mail: info@wirtgen.com

